

**Instructions to candidates**

**Duration:** Three (03) hours

**Number of questions:** Two (02) questions

**Mark allocation:** Hundred (100) mark

**Answer all questions**

All dimensions are given in mm

1. Draw a sketch of the isometric view of the given object. (You will be provided with an object in the examination) (20 mark)
2. Draw the front view, looking from the direction of the arrow, the top view and the left hand side view of the Fig.01. Use third angle projection. (80 mark)

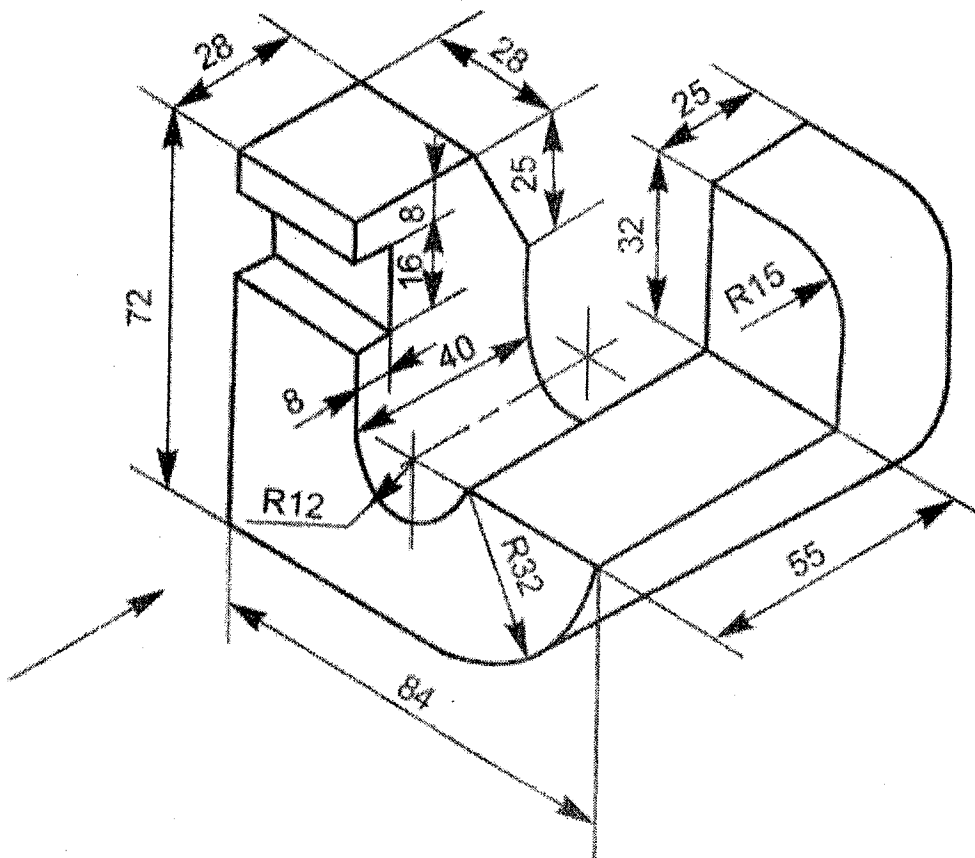


Fig.01

