



SCT 161-1/SCT 261-1 Engineering Graphics

Number of Questions: Two (02)
 Answer all questions
 Time allocation: Three (03) Hours
 Mark allocation: 100 marks

1. Draw a sketch of the isometric view of the given object. (You will be provided with an object in the examination) (20 marks)

2. Draw the front view, the top view and the sectional left hand side view of the bracket, shown in Figure 1, looking in a direction convenient to you. Use third angle projection. (80 marks)

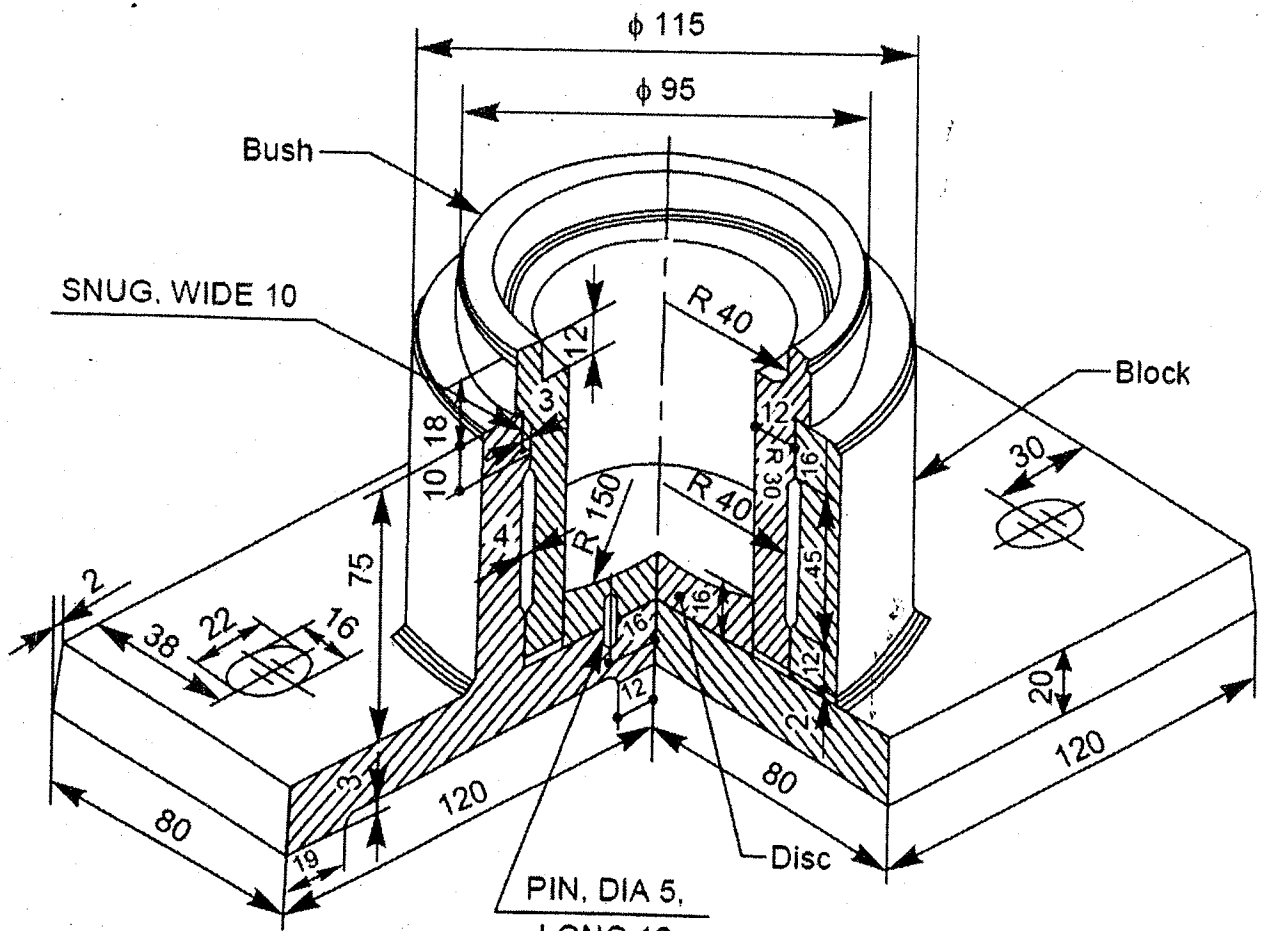


Figure 1