



Uva Wellassa University, Sri Lanka
B.Tech Degree Programme 2006/07
BSc in Computer Science Degree Programme 2006/07
End Semester Examination - Semester 1
January 2008 (Group 3)
ENG 202-1 Engineering Graphics

Instructions

Answer for **All** questions. (Marks for each question are shown in parenthesis)

No. of questions: Two (02)

No. of pages: Two (02)

Time: Four hours (04 hours)

You can assume any missing dimension.

Question 01

Make a free hand sketch of the object provided.

(25 marks)

Question 02

The Front Elevation and Plan view of an object are shown in Fig Q2. Draw the following views to the full scale in first angle projection.

1. Sectional Front Elevation on Y-Y,
2. End Elevation on Z-Z and
3. Plan.

Show all hidden details appropriately. You are required to show dimensions in all drawings and complete the title box.

(75 marks)

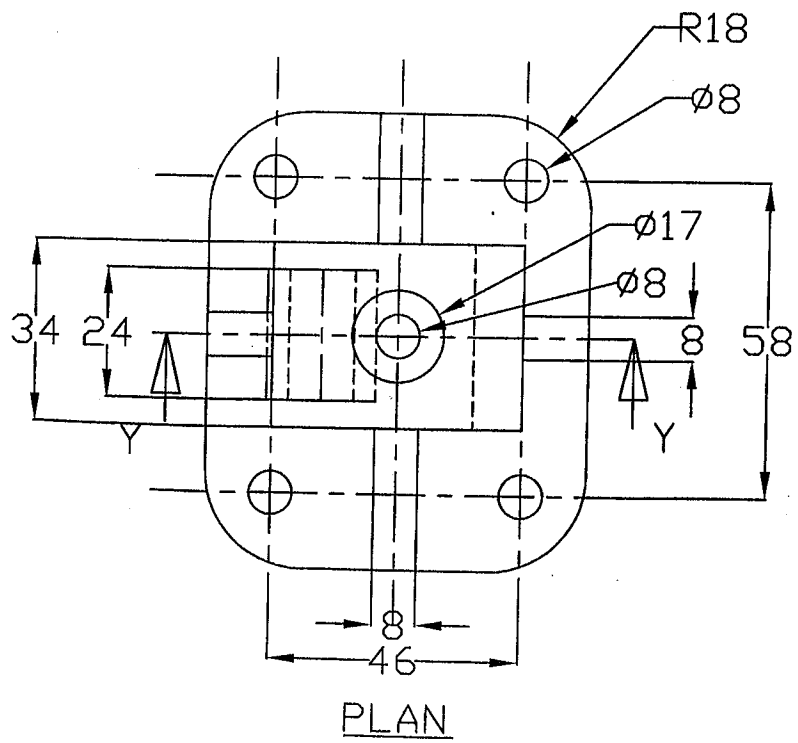
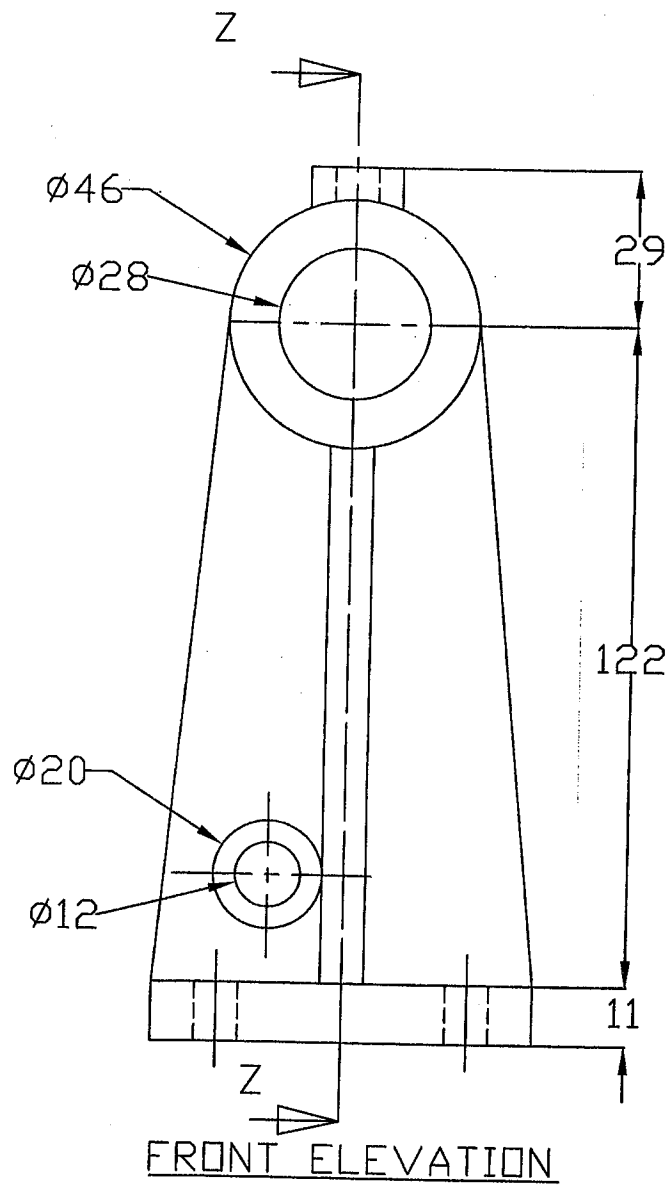


Fig Q2