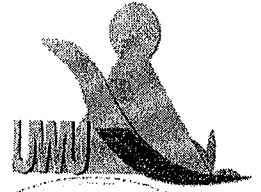


Uva Wellassa University, Sri Lanka  
End Semester Examination – January 2010  
SCT 261-1 Engineering Graphics



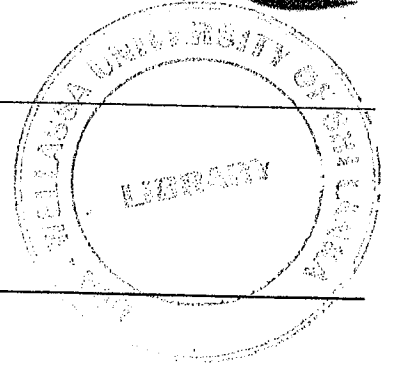
Time: Four (04) hours

Total 02 questions

Answer all questions

Clearly state any assumptions made

You can assume any missing dimension



01) Make a free hand sketch of the given object.

(25 marks)

02) Fig Q2 shows the pictorial view of a solid object (all dimensions are in mm). Draw the following views to a scale of full size in the first angle projections and show all hidden details on correct views;

- a) Front Elevation
- b) End Elevation
- c) Plan

You are required to dimension all the drawings and complete the title box so that a manufacturer could reproduce them.

(75 marks)

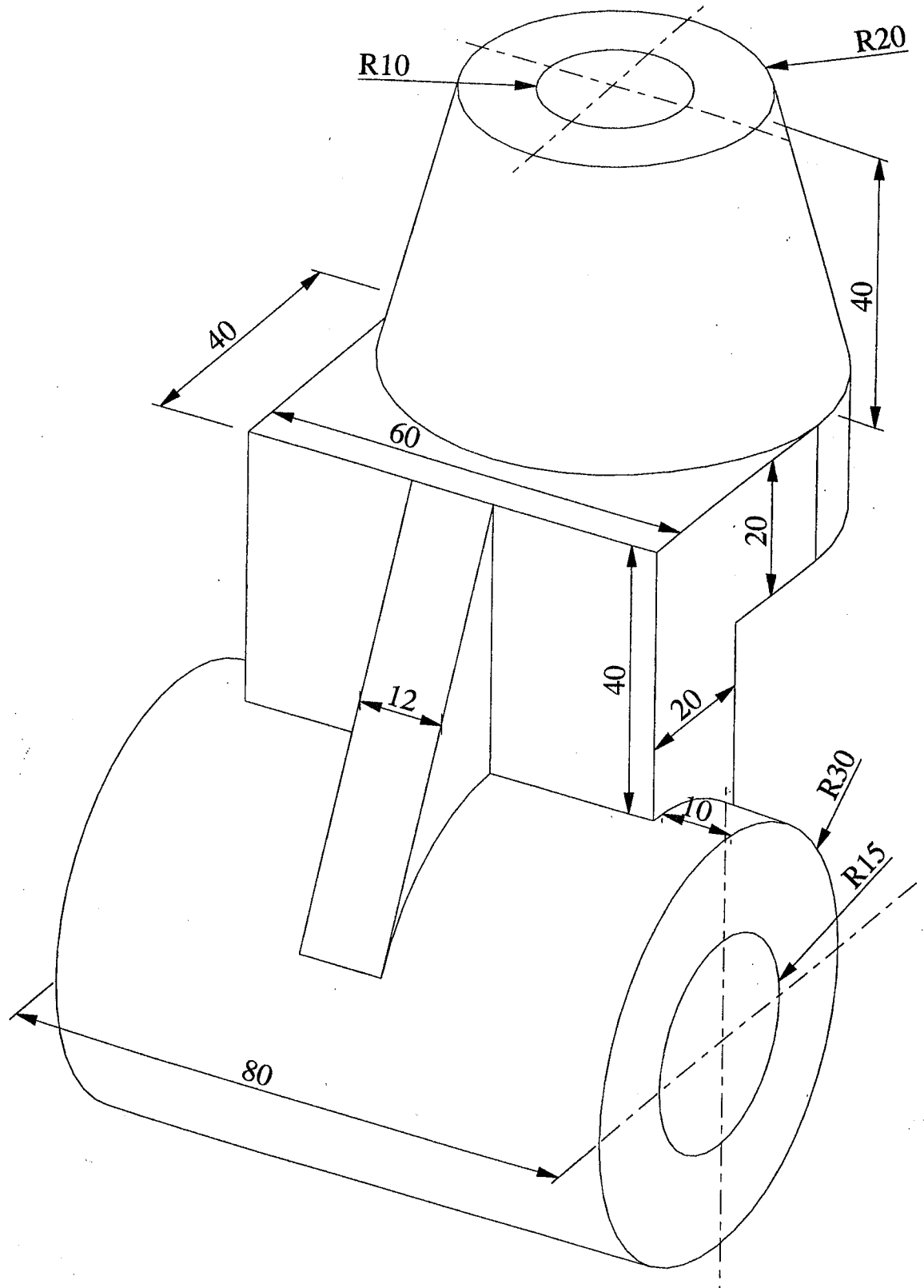


Fig Q2