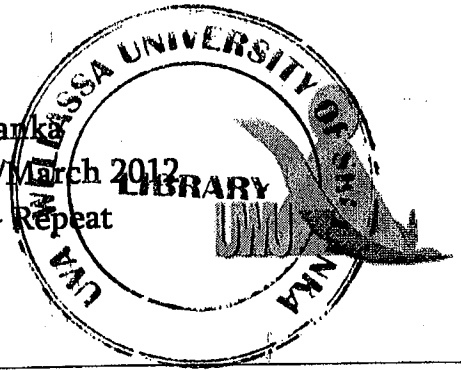


Uva Wellassa University, Sri Lanka
End Semester Examination – February/March 2012
SCT 261-1 Engineering Graphics - Repeat



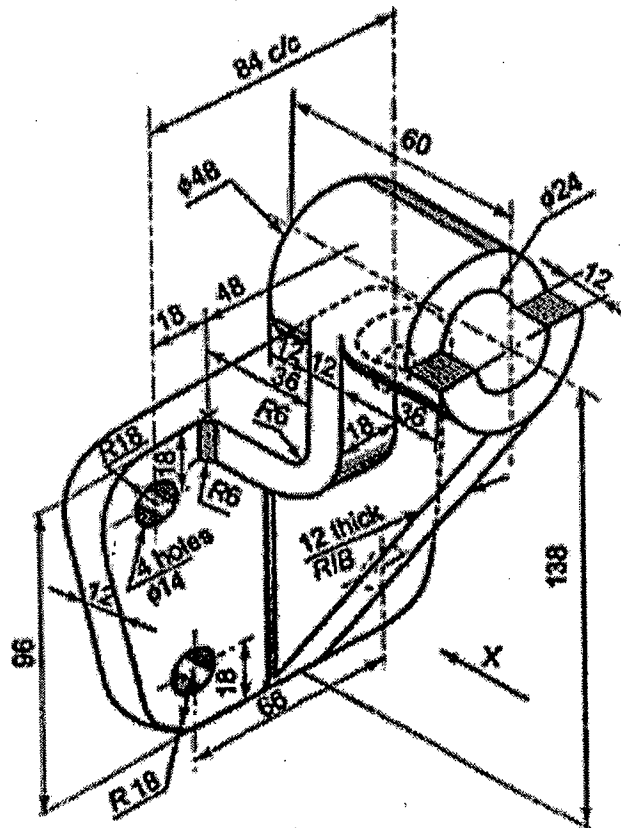
Time: Three (03) Hours

Total 02 Questions

Answer all questions

All dimensions are given in mm

1. Draw a sketch of the isometric view for the given object. (You will be provided with an object in the examination)
(20 marks)
2. A cast iron bracket is shown in Fig Q02. Draw the elevation, looking in the direction of arrow X, the left hand end view and the plan view of the bracket. Use third angle projection.
(80 marks)



FigQ02