

**Instructions to candidates**

- Duration : Three (03) hours  
Number of questions : Three (03) essay questions  
Mark allocation : 100 mark  
Answer all questions:

1. Sketch the isometric view of the object provided to you. (20 mark)

2. A cylinder of base diameter 60 mm and height 100 mm is cut by a section plane perpendicular to the vertical plane, 30° to the horizontal plane and passing through the top edge. Draw the development of the lateral surface of the cylinder. (30 mark)

3. Using third angle projection, draw the front view, the plan and the left-hand side view of the object shown in Figure 1 below.

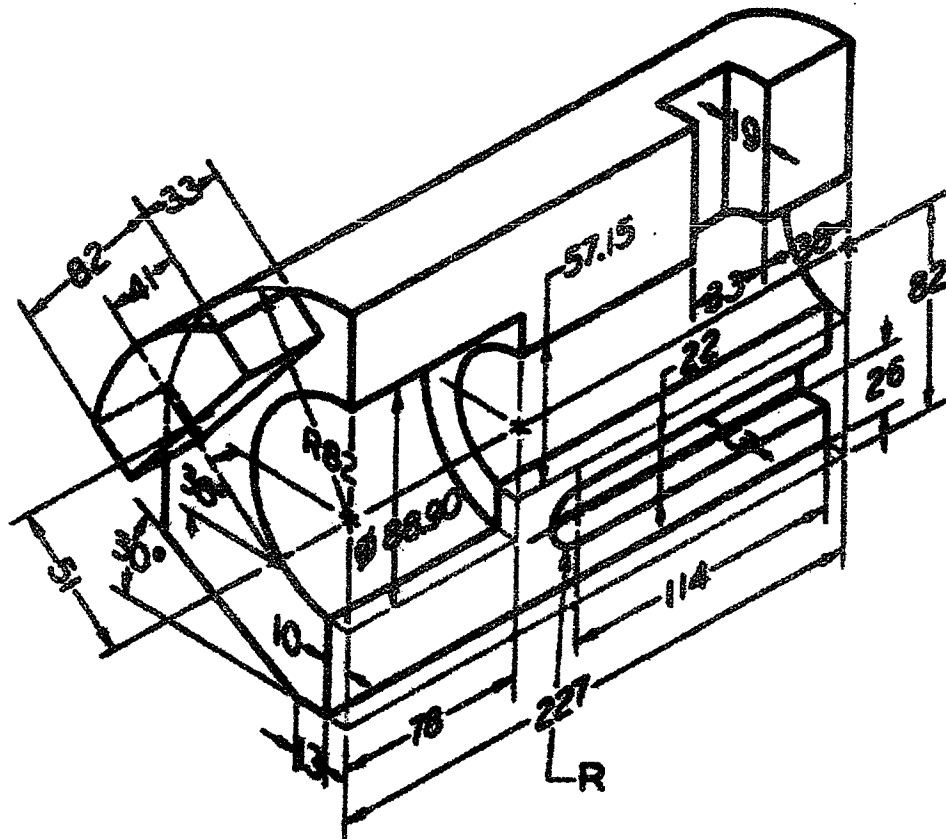
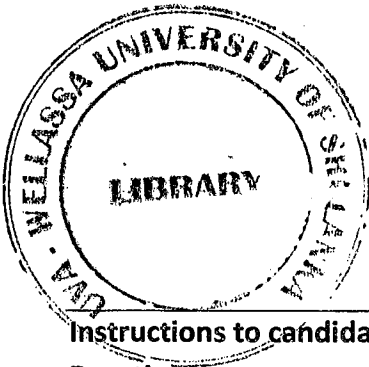


Figure 1

(50 mark)



Instructions to candidates

- Duration : Three (03) hours  
Number of questions : Two (02) essay questions  
Mark allocation : 100 mark  
Answer all questions.

1. Sketch the isometric view of the object provided to you. (20 mark)
2. Using third angle projection, draw the front view, the plan and the left-hand side view of the object shown in Figure 1 below.

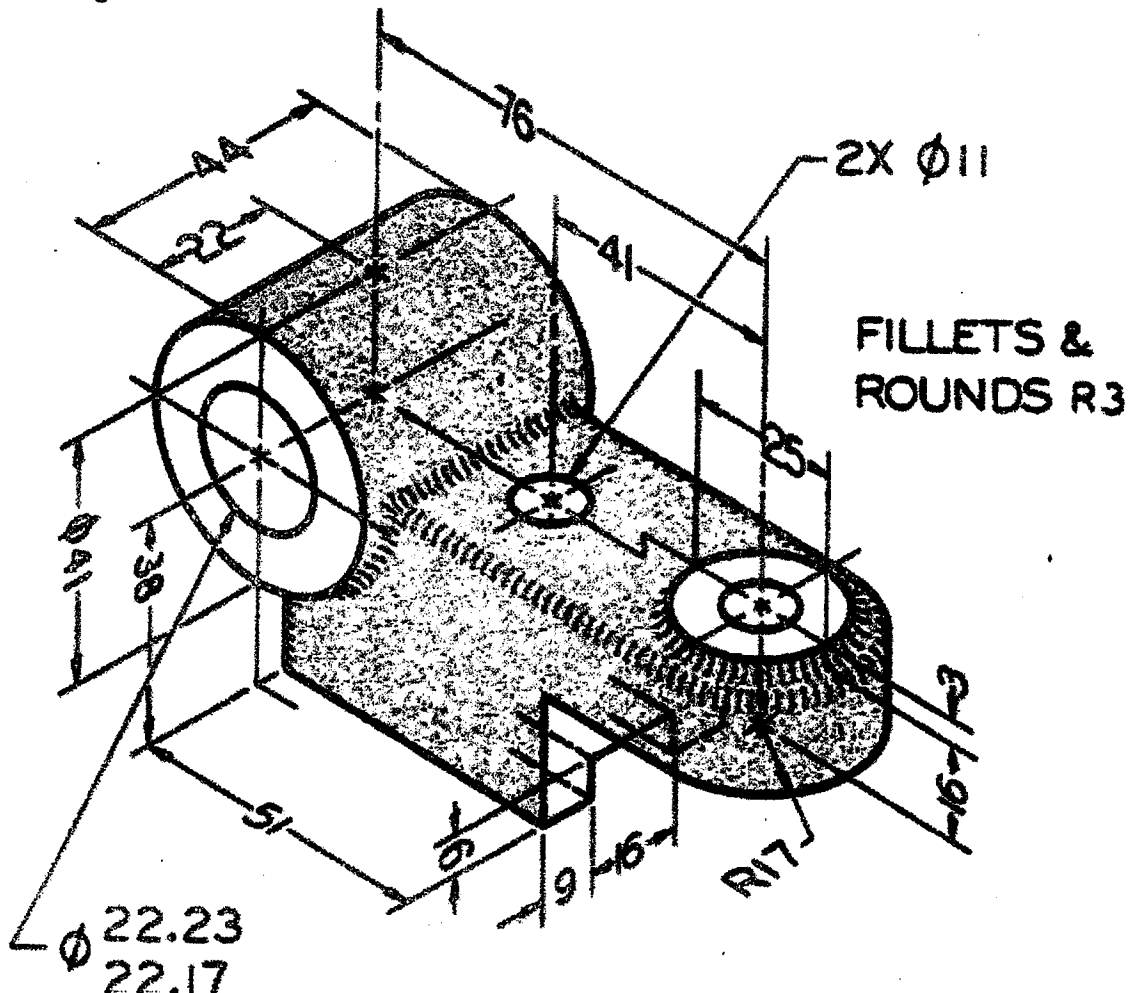


Figure 1

(80 mark)