

**Instructions to candidates**

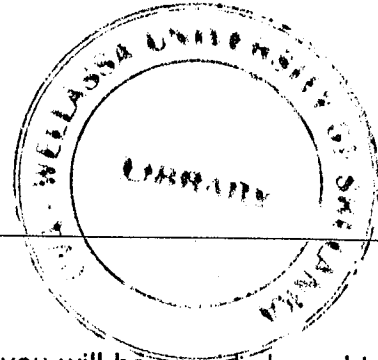
**Duration:** 03 hours

**Number of questions:** 02

**Mark allocation:** 100 mark

Answer **all** questions

All dimensions are given in mm



1. Draw a sketch of the isometric view of the given object (you will be provided an object in the examination). (20 mark)
  
2. Draw the front view, looking in the direction of the arrow X, the top view and the left hand side view of the block shown in Fig.01. Use first angle method of projection. (80 mark)

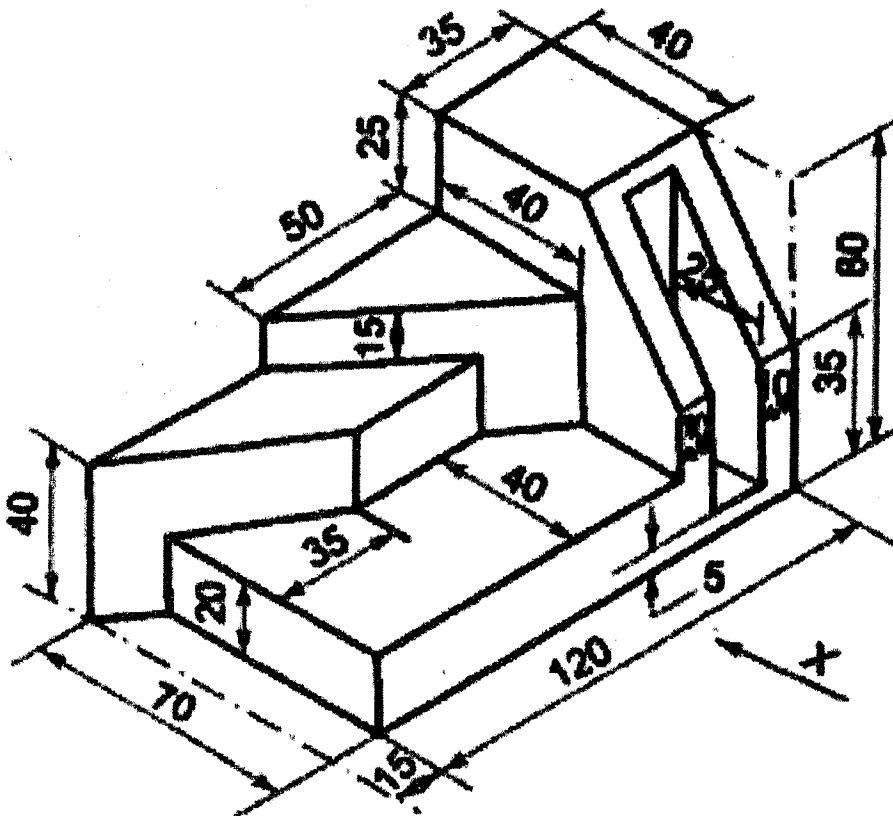


Fig.01