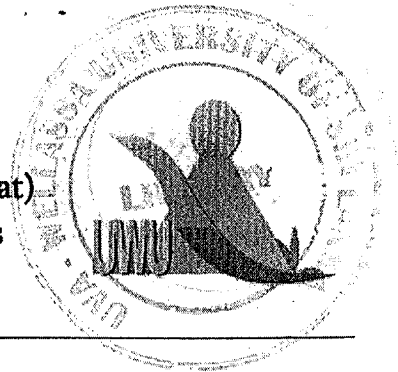


Uva Wellassa University, Sri Lanka
End Semester Examination – June 2009 (Repeat)
ENG 201-2 Electricity and Basic Electronics
Time: Two (02) hours



Total 04 Questions
Answer All questions

PART - A

Q1)

- I. State the Thevenin's Theorem, explain the method to find V_{th} and R_{th} . (8)
- II. Using Thevenin's Theorem find the current through 12Ω resistor in the network shown in Figure Q1. (12)

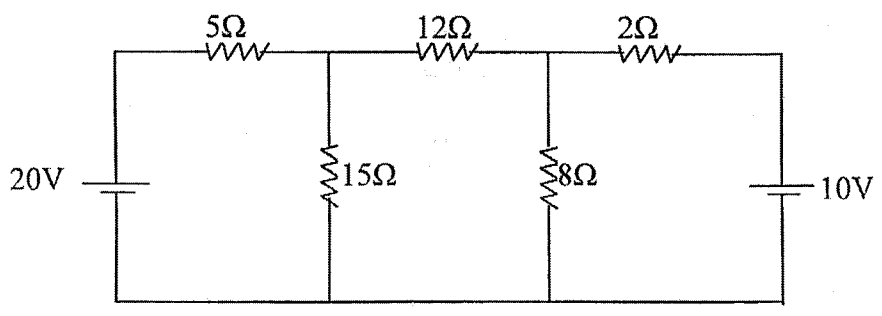


Figure Q1

Q2)

- I. What are the three essential components of a Generator (6)
- II. Compare series generator with shunt generator (6)
- III. 25 kW, 230V d.c. shunt generator has armature and field resistance of 0.08Ω and 110Ω respectively. Calculate total power developed by the armature when it delivers full load out put. (8)

Q3)

- I. What is back emf of a DC Motor. What is the advantage of back emf. (8)
- II. A 230V DC shunt motor takes 5A at no load and runs at 1000 r.p.m. Calculate the speed when loaded and taking a current of 30A. The armature and field resistances are 0.2Ω and 230Ω respectively. (12)

Q4.

1. Determine the value of multimeter readings given below.

(4)

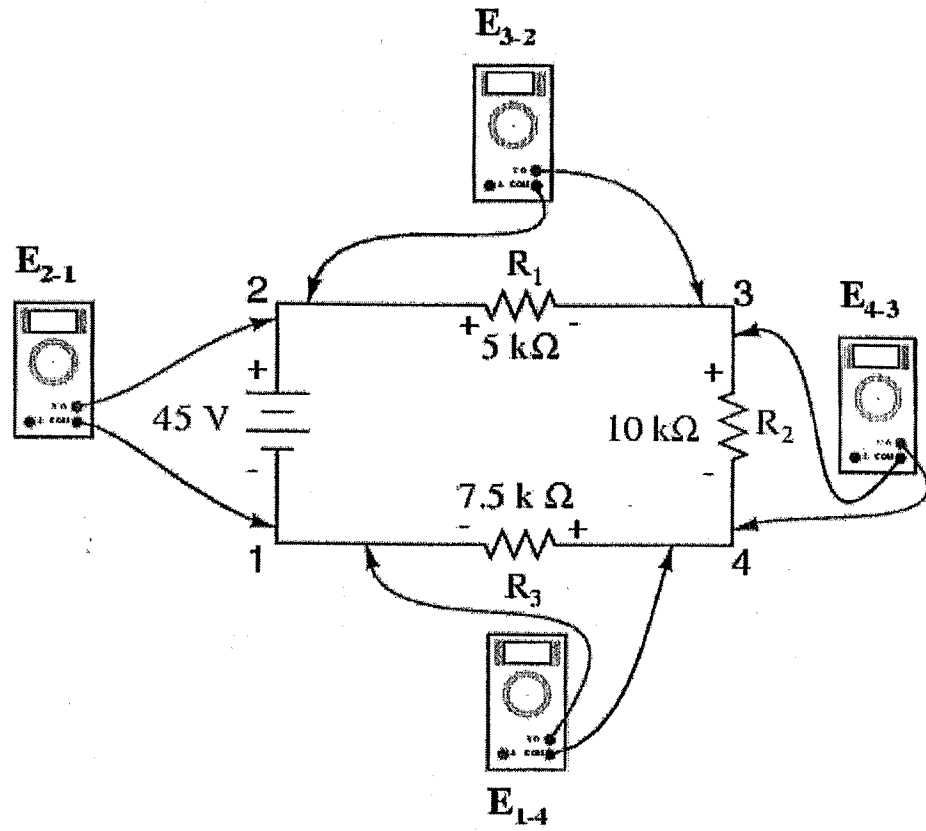


Figure Q4-1

2. Draw the waveform, through the R_L resistor in the Figure Q4-2.

(6)

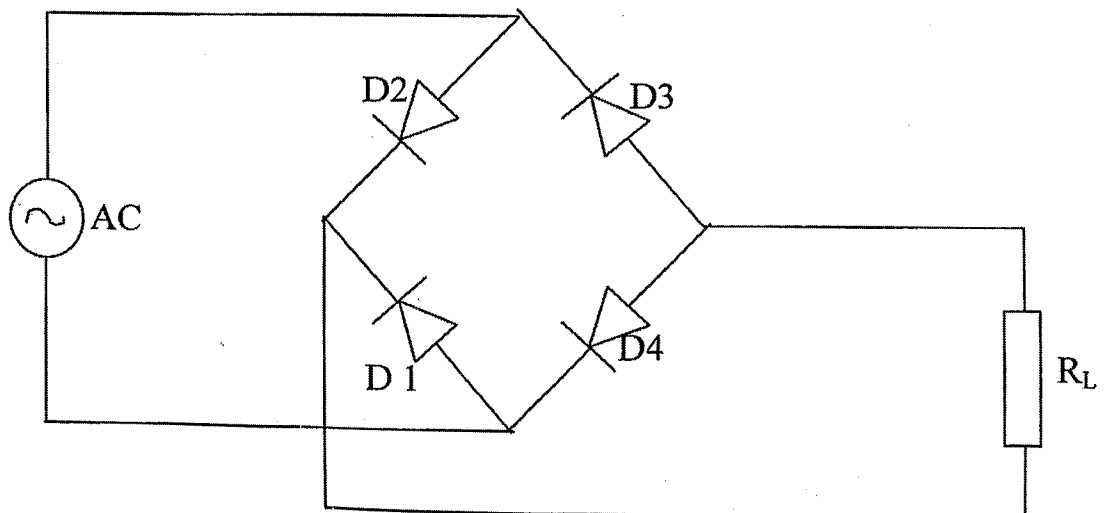


Figure Q4-2

(4)

3. Calculate the current through 5Ω in the Figure Q4-3 using Kirchhoff's Laws. Clearly illustrate the steps. (10)

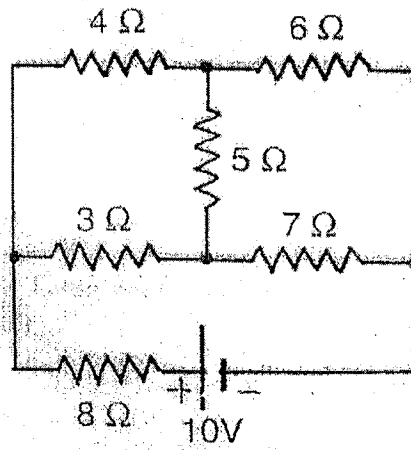
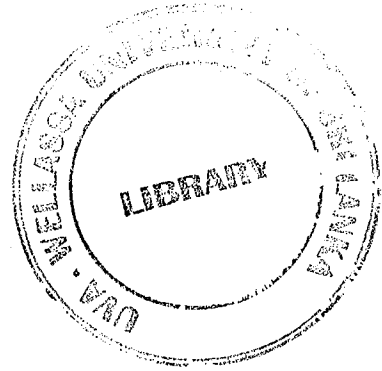
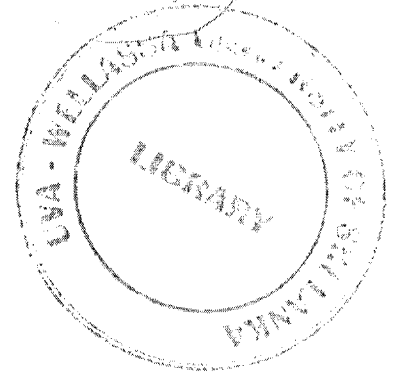


Figure Q4-3



(6)