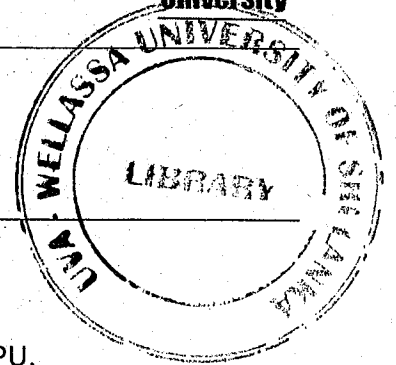
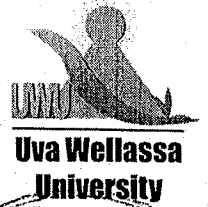


Uva Wellassa University of Sri Lanka  
Faculty of Science and Technology  
Department of Computer Science and Technology  
100 level 2<sup>nd</sup> Semester Examination – Jan. / Feb. 2016  
IIT 181-2 Computer Hardware Technology



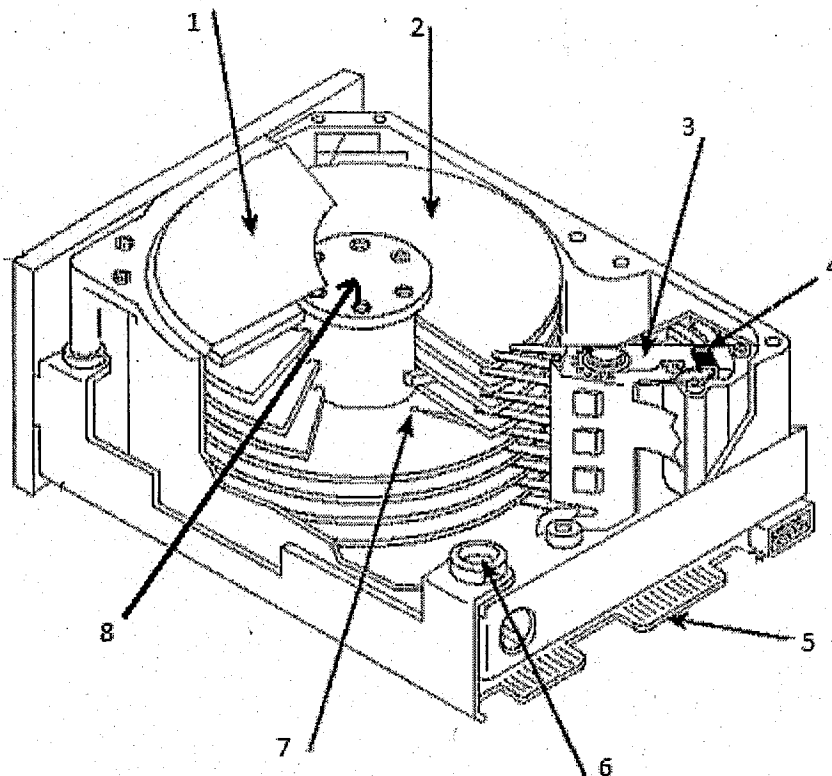
**Instructions to candidates**

**Duration:** Two (02) hours

**Number of questions:** Four (04)

**Mark allocation:** 100

1.
  - a. What is the difference between main frame and super computer?
  - b. What is Central Processing Unit (CPU) and explain main parts of CPU.
  - c. How can you identify a Random Access Memory (RAM) failure?
  - d. What is meant by disk partitioning?
  - e. Explain why the Static Electricity harmful for computer hardware equipment using example.
  - f. Name the (1-8) parts of the hard disk drive given below, and describe the functionality of any two (02) of them.



(30 mark)